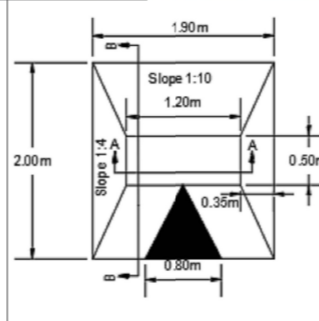
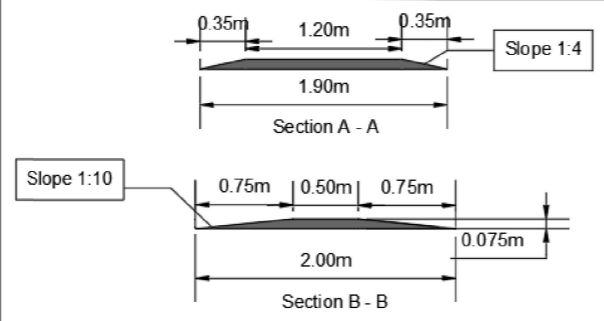


Notes:
 1) Drawing scale is 1:500, speed cushion details shown in circular view are not to scale, follow dimensions for spacing between speed cushions



Wa-33L	Wa-33R	Rb-55L	Rb-55R	Rb-51L	Rb-51R
Approvals					
MANAGER, Neighbourhood Traffic Safety			Director, Transportation and Engineering		
YY	MM	DD	YY	MM	DD

SCALE: 1:500
 DRAWN BY: KT
 CHECKED BY:
 DATE: March 2024
 ISSUE FOR TENDER
 DATE:
 ISSUE FOR CONSTRUCTION
 DATE:

OAKVILLE
 Traffic Calming Design

Valleyridge Drive
 Dundas St to Highvalley Rd

Transportation and Engineering Department

Contract No.	Drawing No.
--------------	-------------